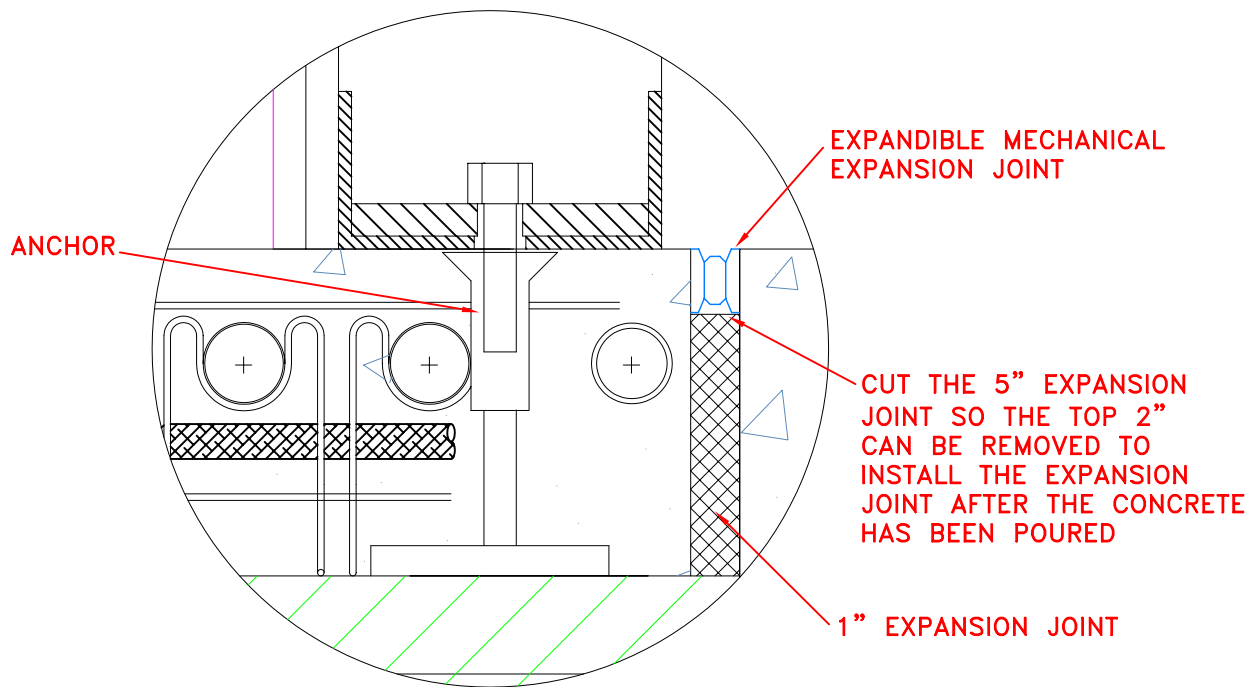


CONCRETE FLOOR CROSS SECTION (N.T.S)



EXPANSION JOINT DETAIL (N.T.S)



PACE Industrial Inc.
 THE REFRIGERATION GROUP a VECTOR COMPANY
 421-116 Avenue N.W. Edmonton, Alberta, Canada T6S 1G3
 Tel: (780) 449-0990 Fax: (780) 464-4077

CONCRETE FLOOR
 CROSS SECTION